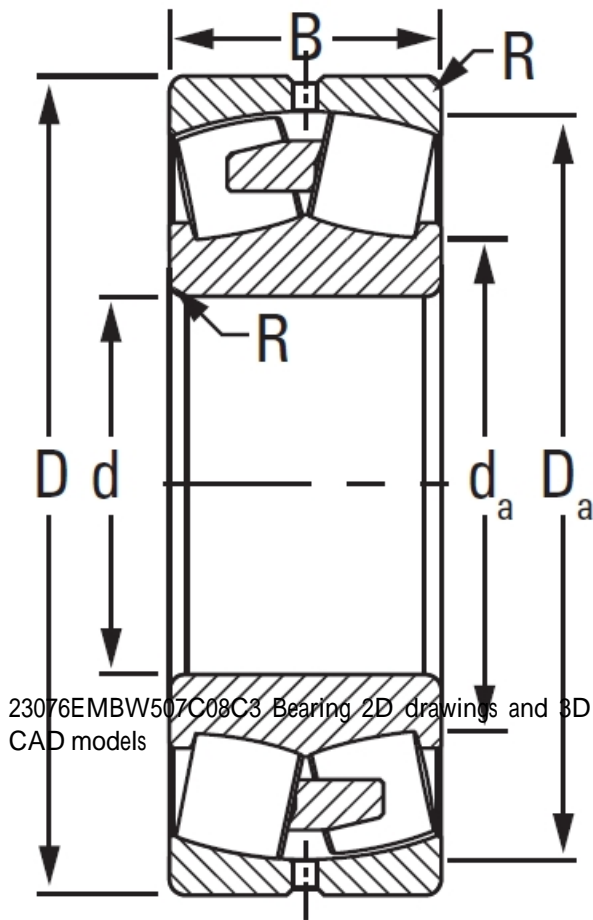




## FBJ needle roller bearings-SINGAPORE LTD.

### 23076EMBW507C08C3 TIMKEN Fafnir High Speed Spindle Angular Contact Ball Bearings

Bearing No. 23076EMBW507C08C3



23076EMBW507C08C3 Bearing 2D drawings and 3D CAD models

Design Unit	METRIC
Bearing Weight	114.2 Kg
Cage Type	EMB
UPC Code	087796189133
Cage Material	Brass
Superseded Part	23076YMBW507C08C3
d	380.000 mm
D	560.000 mm
B - Inner Ring Width	135 mm
B - Outer Ring Width	135.000 mm
R - Inner Ring To Clear Radius <sup>1</sup>	4.000 mm
r - Outer Ring To Clear Radius <sup>2</sup>	4.000 mm
da - Inner Ring Backing Diameter	420.000 mm
Da - Outer Ring Backing Diameter	520.000 mm
C0 - Static Radial Rating	5110000 N
C1(2) - Dynamic Radial Rating (Two-Rows)	3070000 N
e - ISO Factor <sup>3</sup>	0.22
Y0 - ISO Factor <sup>4</sup>	3.08
Y1 - ISO Factor <sup>5</sup>	4.58
Y2 - ISO Factor <sup>6</sup>	3.01
Reference Thermal Speed Rating (Grease)	710



## FBJ needle roller bearings-SINGAPORELTD.

Reference Thermal Speed Rating (Oil) <sup>7</sup>	830
Cg - Geometry Factor <sup>8</sup>	0.1419