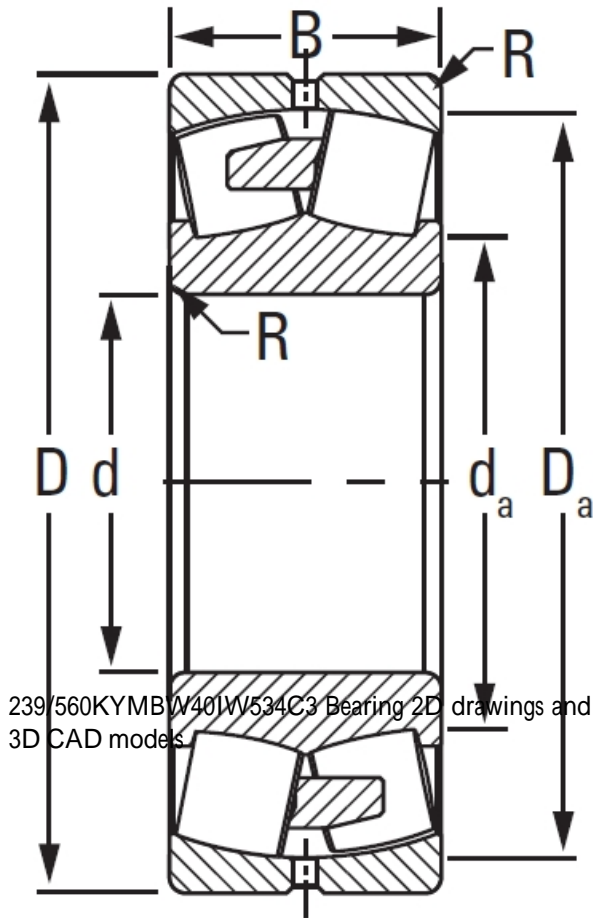




FBJ needle roller bearings-SINGAPORELTD.

239/560KYMBW40IW534C3 TIMKEN Fafnir High Speed Spindle Angular Contact Ball Bearings

Bearing No. 239/560KYMBW40IW534C3



239/560KYMBW40IW534C3 Bearing 2D drawings and 3D CAD models

Design Unit	METRIC
Bore Taper	1/12
Bearing Weight	172.400 Kg
Cage Type	YMB
Cage Material	Brass
d	560.000 mm
D	750.000 mm
B - Inner Ring Width	140 mm
B - Outer Ring Width	140.000 mm
R - Inner Ring To Clear Radius ¹	4.000 mm
r - Outer Ring To Clear Radius ²	4.000 mm
da - Inner Ring Backing Diameter	607.000 mm
Da - Outer Ring Backing Diameter	710.000 mm
C0 - Static Radial Rating	7290000 N
C1(2) - Dynamic Radial Rating (Two-Rows)	3500000 N
e - ISO Factor ³	0.16
Y0 - ISO Factor ⁴	4.21
Y1 - ISO Factor ⁵	6.27
Y2 - ISO Factor ⁶	4.12
Reference Thermal Speed Rating (Grease)	450
Reference Thermal Speed Rating (Oil) ⁷	530



FBJ needle roller bearings-SINGAPORE LTD.

Cg - Geometry Factor ⁸	0.1099
-----------------------------------	--------